

# HP 2U Cable Management Arm Option Installation Instructions



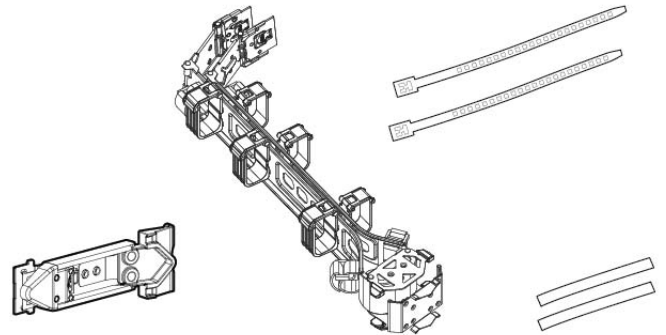
## Overview

This document provides instructions for installing an HP 2U cable management arm.

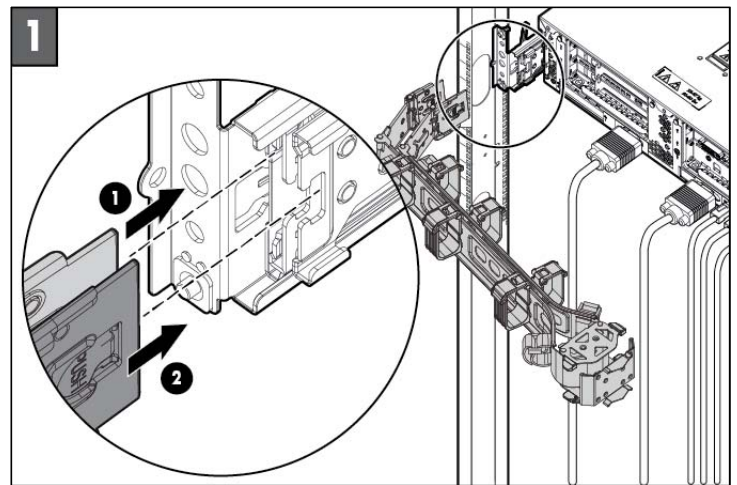
The HP 2U cable management arm option enhances the management features and capabilities of the 2U rack hardware solution, including the ability to extend the product from the rack without powering down or disconnecting cables.

## Kit contents

This kit contains two sets of each item shown below, and it provides cable management for two 2U products.



## Installing the cable management arm



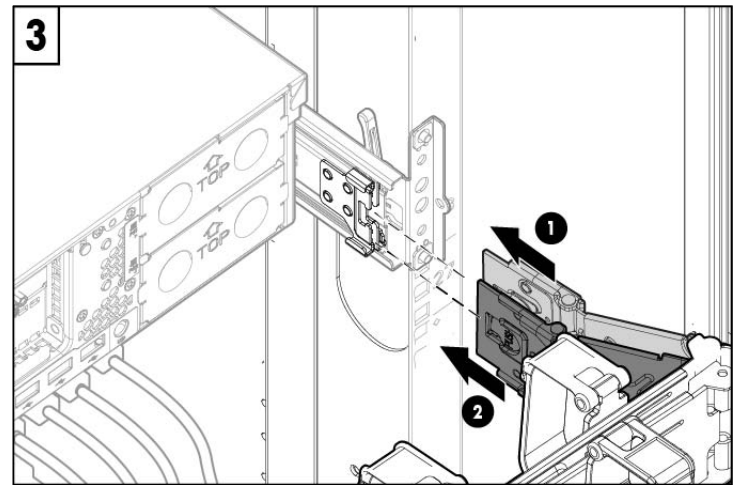
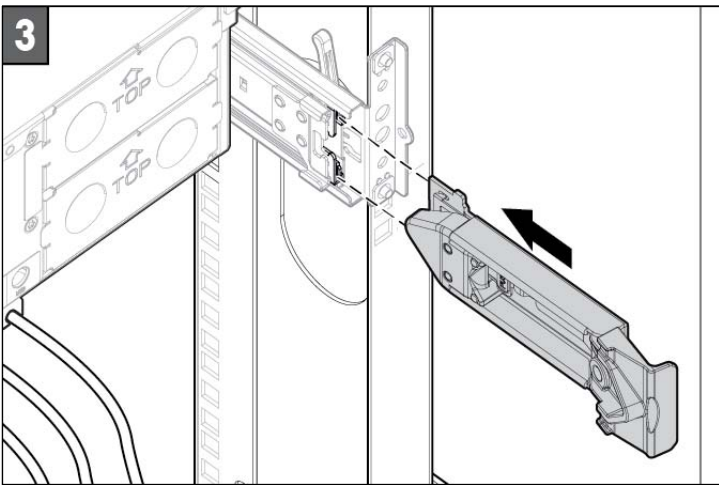
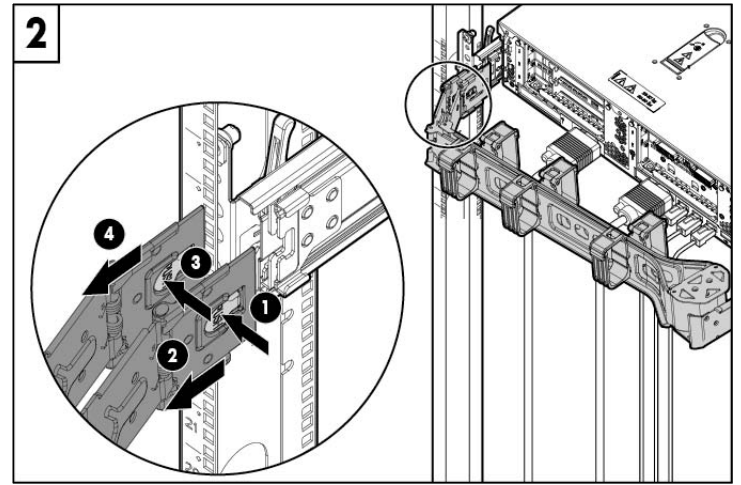
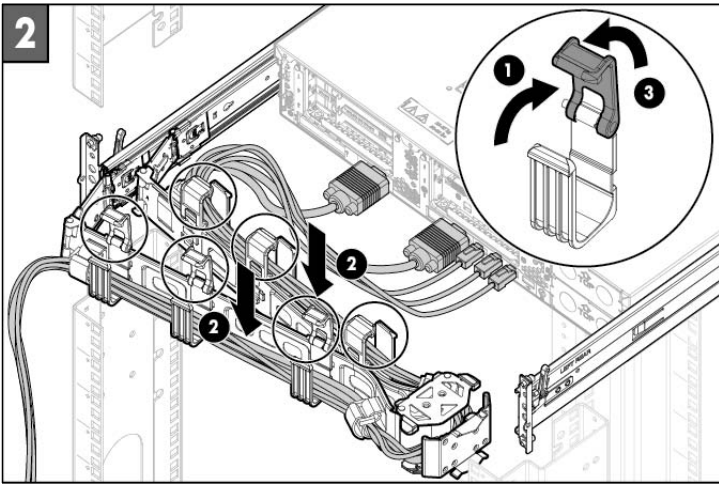
© Copyright 2013 Hewlett-Packard Development Company, L.P.

The information contained herein is subject to change without notice. The only warranties for HP products and services are set forth in the express warranty statements accompanying such products and services. Nothing herein should be construed as constituting an additional warranty. HP shall not be liable for technical or editorial errors or omissions contained herein.

Part Number: 740123-001  
July 2013  
Edition: 1

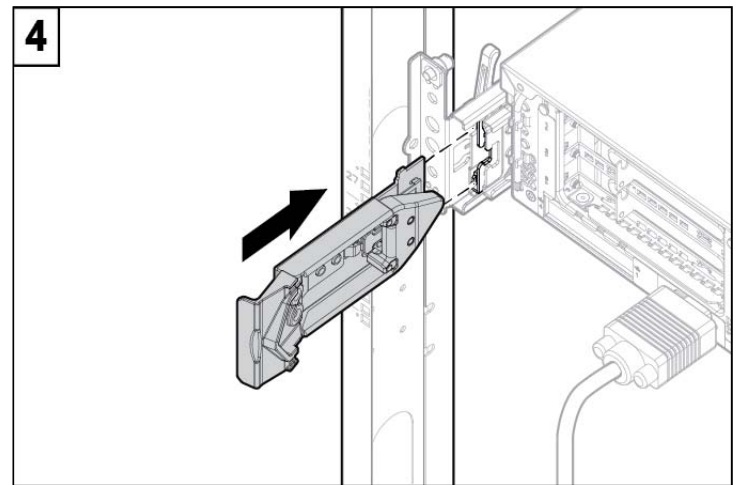
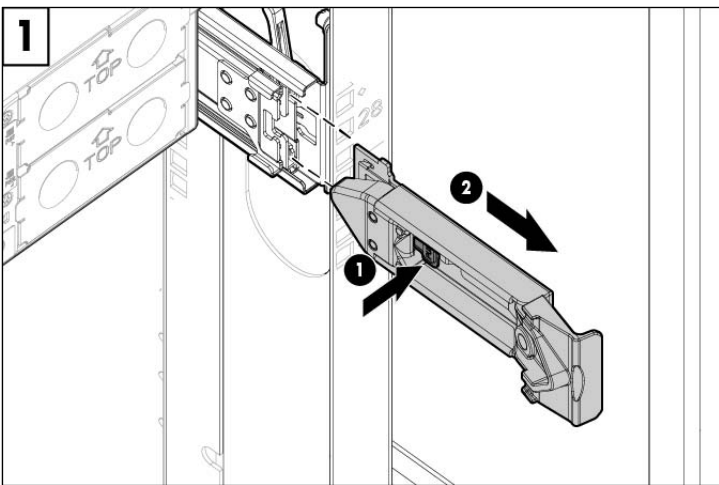


740123-001



The installation is complete.

## Reversing the cable management arm orientation



The installation is complete.

## Documentation feedback

HP is committed to providing documentation that meets your needs. To help us improve the documentation, send any errors, suggestions, or comments to Documentation Feedback (mailto:docsfeedback@hp.com). Include the document title and part number, version number, or the URL when submitting your feedback.