



Transceiver Installation Instructions


for QSFP+/QSFP28, SFP+/SFP28, or SFP transceivers
and adapters

Installing the transceiver

 **WARNING:** To avoid serious injury, never look directly into an open transceiver port.


 **CAUTION:** Disconnect all cables before removing or installing any transceivers or transceiver adapters. Leaving the cable connected while handling the transceiver may damage the cable, the cable connector, or the optical interfaces in the transceiver.

Do not remove and install transceivers more often than is necessary. Doing so can shorten the useful life of the transceiver.

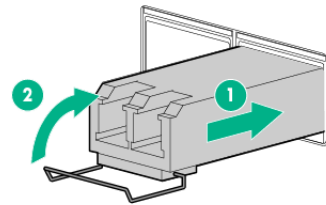
 **CAUTION:** Do not remove the dust plugs from the transceiver or the connector until you are ready to connect the cable. The plugs protect the ports and connectors from contamination and ambient light.

NOTE: Transceivers may have a bail clasp latch or a pull tab latch. If installing a transceiver with a bail clasp latch, be sure the latch is closed before connecting the cable.

To install a transceiver or transceiver adapter:

 **IMPORTANT:** Use only Hewlett Packard Enterprise approved transceivers.

1. Verify the transceiver type by checking the label.
2. Remove the dust plug from the correct port.
3. Align the transceiver in front of the port with the label facing up.
4. Install the transceiver:
 - o SFP28/SFP+

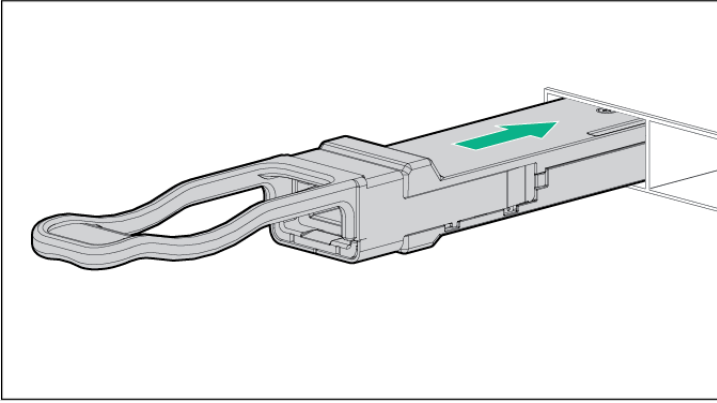


© Copyright 2014, 2016 Hewlett Packard Enterprise Development LP

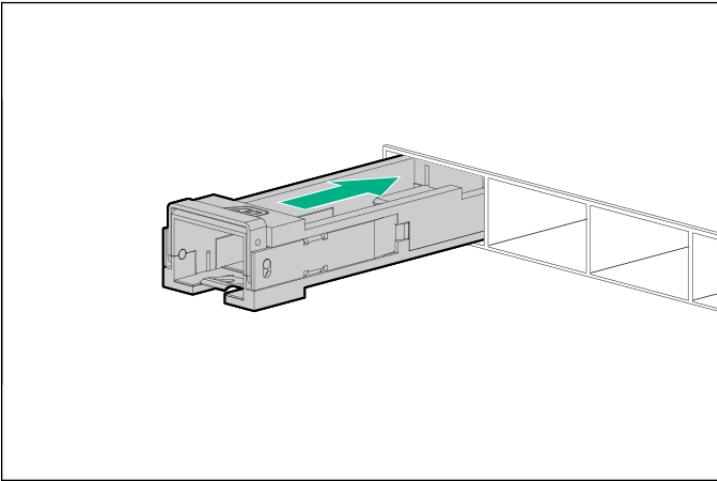
The information contained herein is subject to change without notice. The only warranties for Hewlett Packard Enterprise products and services are set forth in the express warranty statements accompanying such products and services. Nothing herein should be construed as constituting an additional warranty. Hewlett Packard Enterprise shall not be liable for technical or editorial errors or omissions contained herein.



- o QSFP28/QSFP+



- o Transceiver adapter



If a cable needs to be connected, remove any dust plugs or covers, and then connect the cable.

The installation is complete.

Laser Compliance

The transceiver is classified as a Class 1 Laser Product in accordance with US FDA regulations and the IEC 60825-1. The product does not emit hazardous laser radiation.

Each laser product complies with 21 CFR 1040.10 and 1040.11 except for deviations pursuant to Laser Notice No. 50, dated June 24, 2007; and with IEC 60825-1:2007.



WARNING: Use of controls or adjustments or performance of procedures other than those specified herein or in the laser product's installation guide may result in hazardous radiation exposure. To reduce the risk of exposure to hazardous radiation:

- Do not try to open the module enclosure. There are no user-serviceable components inside.
- Do not operate controls, make adjustments, or perform procedures to the laser device other than those specified herein.
- Allow only Hewlett Packard Enterprise Authorized Service technicians to repair the unit.

The Center for Devices and Radiological Health (CDRH) of the U.S. Food and Drug Administration implemented regulations for laser products on August 2, 1976. These regulations apply to laser products manufactured from August 1, 1976. Compliance is mandatory for products marketed in the United States.

European Union regulatory notice



Products bearing the CE marking comply with one or more of the following EU Directives, as may be applicable:

- Low Voltage Directive 2006/95/EC
- EMC Directive 2004/108/EC
- Ecodesign Directive 2009/125/EC
- R&TTE Directive 1999/5/EC
- RoHS Directive 2011/65/EU

Compliance with these directives is assessed using applicable European Harmonised Standards.

The full Declaration of Conformity can be found at the following Hewlett Packard Enterprise website (<http://www.hpe.com/eu/certificates>). (Search with the product model name or its Regulatory Model Number (RMN), which may be found on the regulatory label.)

The point of contact for regulatory matters is Hewlett Packard Enterprise GmbH, Dept./MS: HQ-TRE, Herrenberger Strasse 140, 71034 Boeblingen, GERMANY.

Documentation feedback

Hewlett Packard Enterprise is committed to providing documentation that meets your needs. To help us improve the documentation, send any errors, suggestions, or comments to Documentation Feedback (<mailto:docsfeedback@hpe.com>). When submitting your feedback, include the document title, part number, edition, and publication date located on the front cover of the document. For online help content, include the product name, product version, help edition, and publication date located on the legal notices page.