



**Hewlett Packard
Enterprise**

HPE Synergy Interconnect Link cables Installation Instructions

Installation information

When handling installing or removing cables, be careful not to bend or twist the cable beyond the minimum bend radius.

⚠ CAUTION: Exceeding the minimum bend radius measurement may cause immediate or latent failure of the cable.

Cable type	Speed	Length	Minimum bend radius
DAC	120G interconnect link	<ul style="list-style-type: none">• 1.1 m• 1.6 m• 2.1 m	5.5 cm (2.16 in)
AOC	120G interconnect link	<ul style="list-style-type: none">• 3 m• 5 m• 10 m• 15 m	6.0 cm (2.36 in)
DAC	300G interconnect link	2.1m	3.56 cm (1.40 in)
AOC	300G interconnect link	<ul style="list-style-type: none">• 3 m• 5 m• 15 m	3.8 cm (1.49 in)

Installing a cable

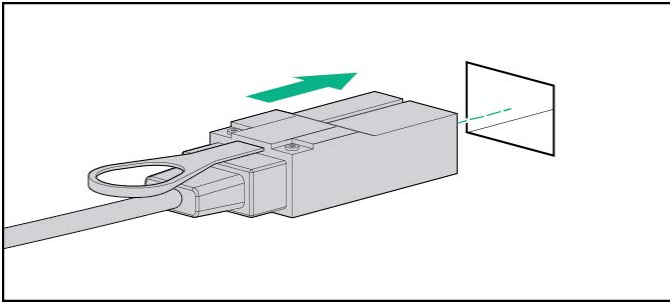
Procedure

1. Remove the packaging and protective caps from the cable, if needed.
2. Verify that the cable is the correct type by checking the label.
3. Remove the dust plug from the correct port.
4. Align the metal cable plug in front of the port with the matching orientation.
5. Install the cable.

© Copyright 2015, 2019 Hewlett Packard Enterprise Development LP

Part Number: 828678-003
Published: April 2019
Edition: 3





Documentation feedback

Hewlett Packard Enterprise is committed to providing documentation that meets your needs. To help us improve the documentation, send any errors, suggestions, or comments to Documentation Feedback (docsfeedback@hpe.com). When submitting your feedback, include the document title, part number, edition, and publication date located on the front cover of the document. For online help content, include the product name, product version, help edition, and publication date located on the legal notices page.