

HPE BladeSystem Type A and B Mezzanine Card Installation Instructions




Overview

Use these instructions to install optional mezzanine cards.

Optional mezzanine cards are classified as Type A mezzanine cards and Type B mezzanine cards. The type of the mezzanine card determines where it can be installed in the server blade.

- Install Type A mezzanine cards on Mezzanine 1 connector, Mezzanine 2 connector, or Mezzanine 3 connector.
- Install Type B mezzanine cards on either Mezzanine 2 connector or Mezzanine 3 connector.

Warnings and cautions

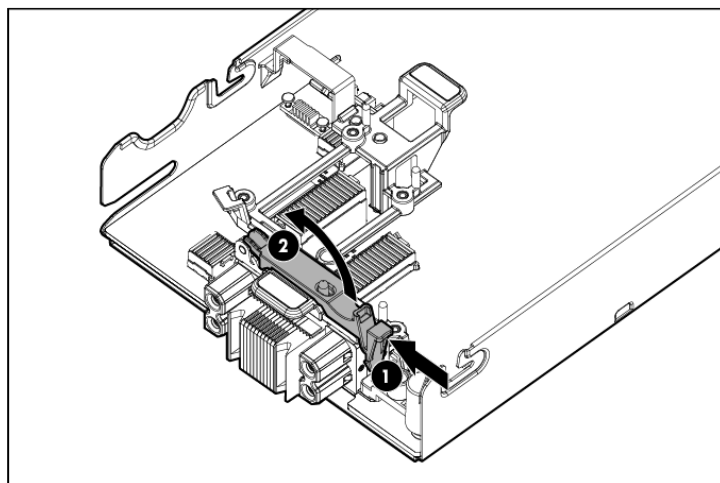
-
-  **WARNING:** To reduce the risk of personal injury from hot surfaces, allow the drives and the internal system components to cool before touching them.
-
-  **CAUTION:** Electrostatic discharge (ESD) can damage electronic components. Be sure that you are properly grounded (earthed) before beginning any installation procedure.
-
-  **CAUTION:** Limit the number of times that a mezzanine card is installed and removed within its lifecycle to prevent connector pin damage.
-

Removing the access panel

1. Power down the server blade.
2. Remove the server blade.
3. Press the access panel release button, and then slide the access panel to the rear.
4. Remove the access panel.

Installing the mezzanine card

1. Press the release button, and then open the mezzanine assembly latch.

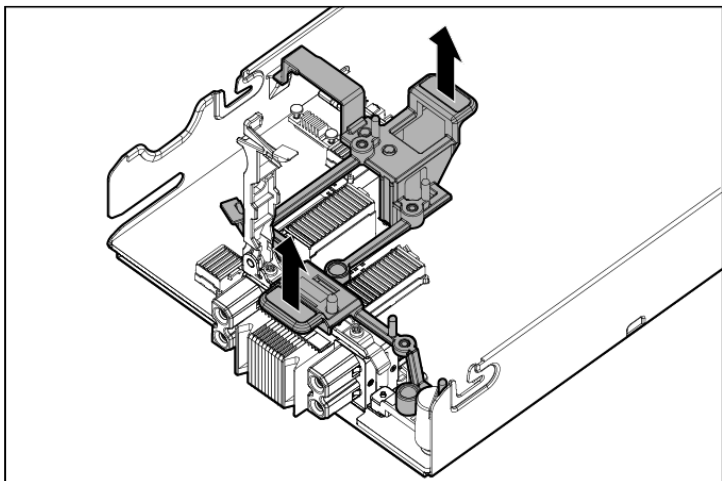


© Copyright 2011, 2016 Hewlett Packard Enterprise Development LP

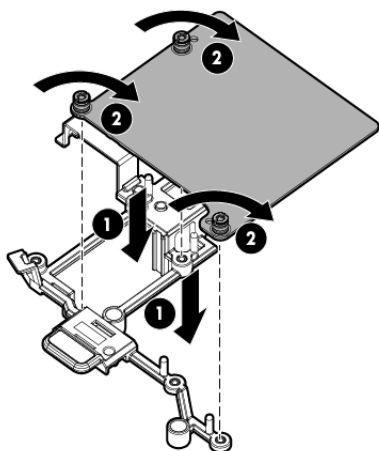
The information contained herein is subject to change without notice. The only warranties for Hewlett Packard Enterprise products and services are set forth in the express warranty statements accompanying such products and services. Nothing herein should be construed as constituting an additional warranty. Hewlett Packard Enterprise shall not be liable for technical or editorial errors or omissions contained herein.

Bluetooth is a trademark owned by its proprietor and used by Hewlett Packard Enterprise under license.

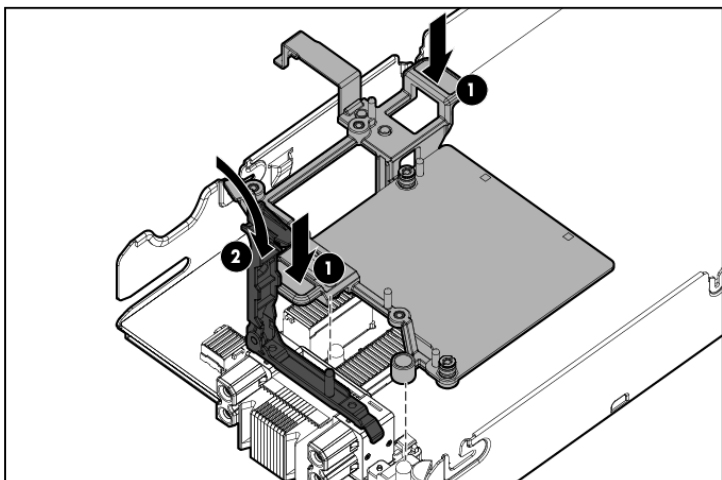
- Remove the mezzanine assembly from the server.



- Align the mezzanine card with the guide pins on the mezzanine assembly, and then install the mezzanine card in the mezzanine assembly.
- Tighten the mezzanine card screws to secure the card to the mezzanine assembly.



- Align the mezzanine assembly with the guide pins on the system board, and then install the mezzanine assembly on the system board.
- Press down firmly on the mezzanine assembly handles, and then close the mezzanine assembly latch.



- Install the access panel.

NOTE: See the *BladeSystem Enclosure Setup and Installation Guide* for more information on the association between the mezzanine bay and the interconnect bays. Where you install the mezzanine card will determine where you need to install the interconnect modules.

- Restore the server blade to its operating position in the server blade enclosure.

NOTE: Depending on your server configuration, the server might power up automatically after being installed in the enclosure.

Download drivers and software

To download drivers and software for the adapter:

- Go to the Hewlett Packard Enterprise website (<http://www.hpe.com/support/hpesc>).
- Select **Download drivers and software (and firmware)**.
- Type the adapter name in the **For product** box, and then click **Go**.

Getting help

For additional help, contact your Hewlett Packard Enterprise reseller or (in North America only) go to the Hewlett Packard Enterprise website (<http://www.hpe.com/support/hpesc>).

European Union regulatory notice



Products bearing the CE marking comply with one or more of the following EU Directives, as may be applicable:

- Low Voltage Directive 2006/95/EC
- EMC Directive 2004/108/EC
- Ecodesign Directive 2009/125/EC
- R&TTE Directive 1999/5/EC
- RoHS Directive 2011/65/EU

Compliance with these directives is assessed using applicable European Harmonised Standards.

The full Declaration of Conformity can be found at the following Hewlett Packard Enterprise website (<http://www.hpe.com/eu/certificates>). (Search with the product model name or its Regulatory Model Number (RMN), which may be found on the regulatory label.)

The point of contact for regulatory matters is Hewlett Packard Enterprise GmbH, Dept./MS: HQ-TRE, Herrenberger Strasse 140, 71034 Boeblingen, GERMANY.

Korean class A notice

A급 기기
(업무용 방송통신기기)

이 기기는 업무용(A급)으로 전자파적합등록을 한 기기이오니 판매자 또는 사용자는 이 점을 주의하시기 바라며, 가정 외의 지역에서 사용하는 것을 목적으로 합니다.